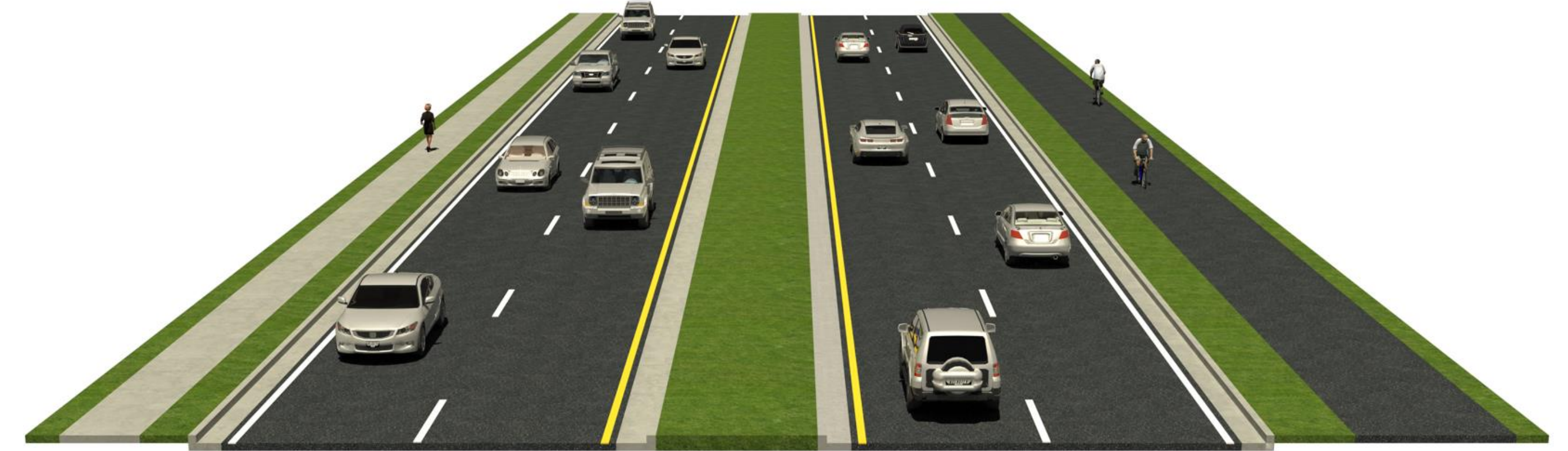
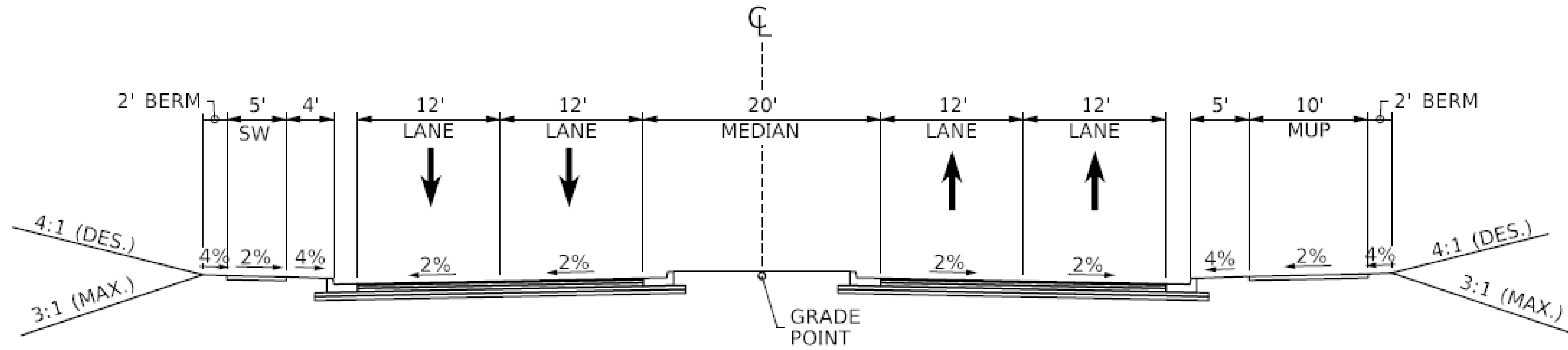
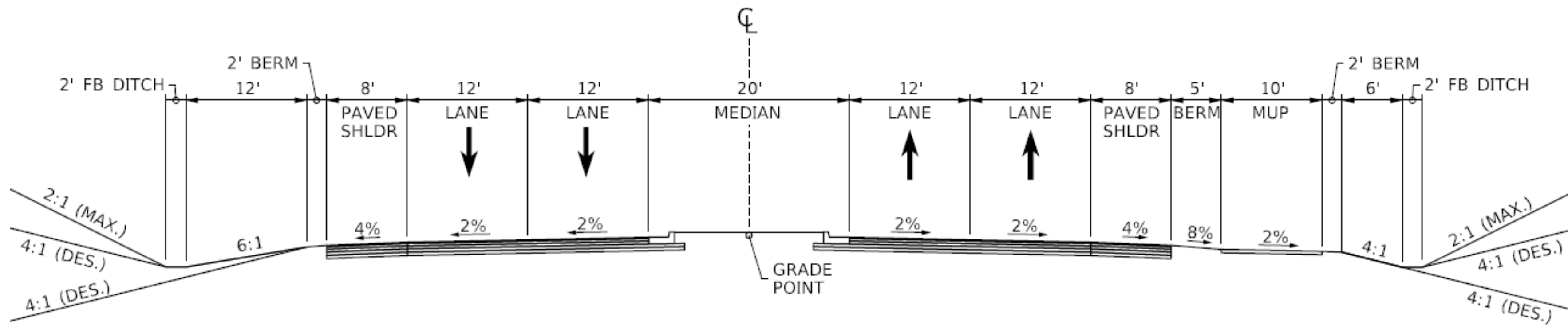


# Potential Typical Sections

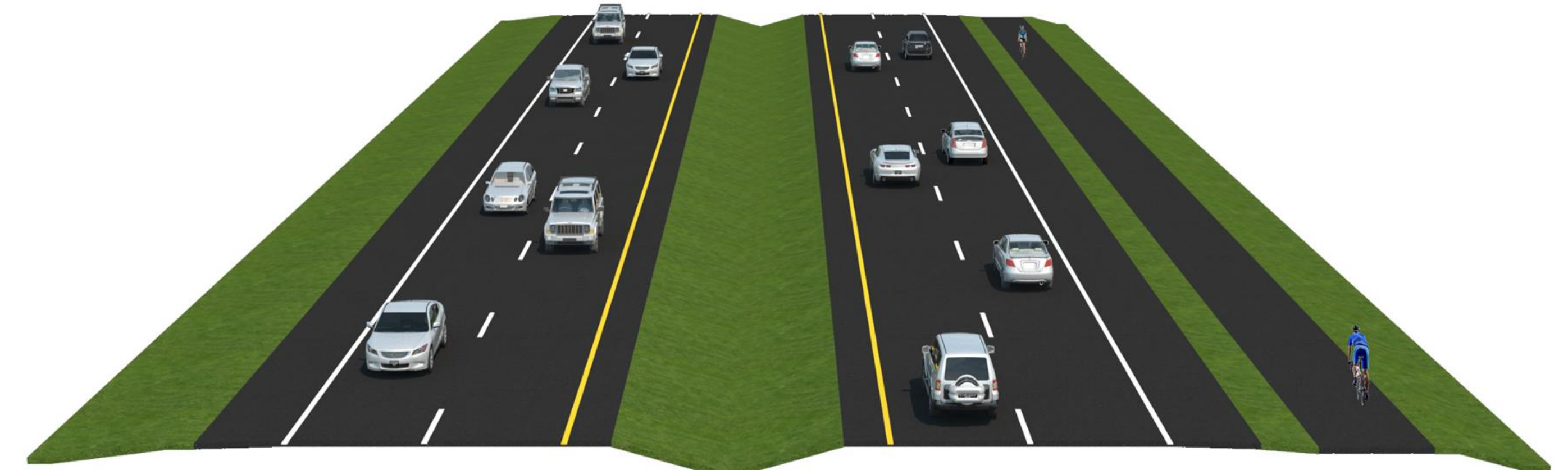
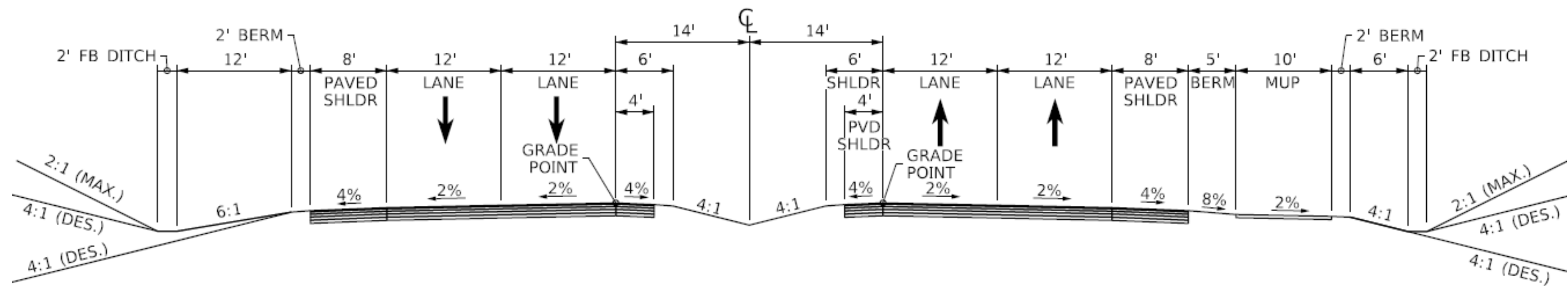
US 60 (Winchester Road)  
Fayette County  
KYTC Item No. 7-80150



**Four lanes with raised median and curb and gutter**



**Four lanes with raised median and outside shoulder**



**Four lanes with depressed median**